



GAN100 / 125 / 150 / 175 / 200 / 225 / 250 / 275 / 300

## GANTRY / linear

LINEAR LIGHT

A linear pendant that draws from industrial aesthetics, materials, and processes, this piece is ideal for large spaces. With an aluminum extrusion originally designed as a gantry arm for industrial machinery, its rigid form permits long lengths, while a modular connection system enable versatile compositions.

MADE IN MELBOURNE, AUSTRALIA

### FINISHES

ALUMINUM	● Brushed
POWDER COATS	● Black      ○ White

### CORD

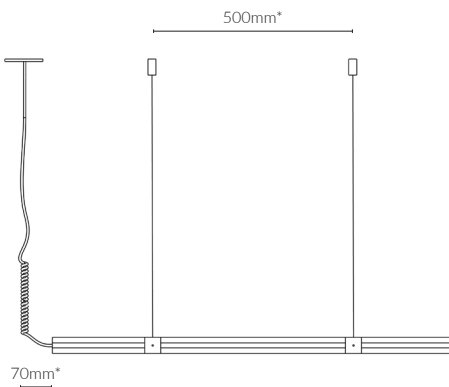
CURLY	● Black      ○ White      ● Orange
-------	------------------------------------

### SPECIFICATIONS

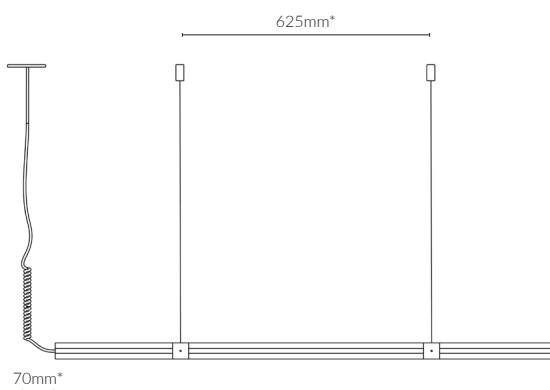
LEAD-TIME	6 - 8 Weeks	LAMP	CRI 95, Intergrated LED (24V)
FINISH	Brushed Aluminium, Powder Coated	POWER/TEMP	25 W/m, 2700k, 3000k (Standard), 4000k
LUGS / SUSPENSION	Brushed Aluminium, Powder Coated	OUTPUT	2800 lm/m
CANOPY	Brushed Aluminium, Black, White (95mm dia x 6mm H)	AVG LIFETIME	50,000 hours
FLEX	2m, Black, White, or Orange. (2 core) (Longer available on request)	CONTROL	Remote Driver: Non-Dimmable, Phase Dimmable, Dali Dimmable
SIZES (mm)	1000, 1250, 1500, 1750, 2000, 2250, 2500, 2750, 3000		
INSTALLATION	Pendants must be installed and wired by a qualified electrician.		
WARRANTY	3 Years Manufactures Warranty	CARE	Ensure the electricity supply is switched off before cleaning. Remove dust with a soft dry cloth. Do not use solvents or abrasive materials when cleaning.



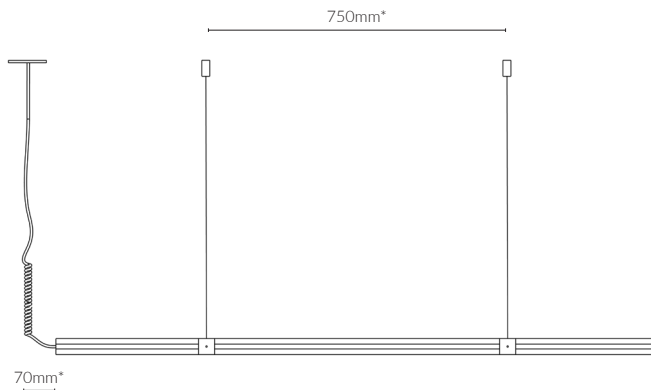
**GANTRY / linear**  
GAN100, GAN125, GAN150



Dims: 1000 mm L, 40mm H, 120mm D  
Weight: 3.2kg



Dims: 1250 mm L, 40mm H, 120mm D  
Weight: 3.8kg



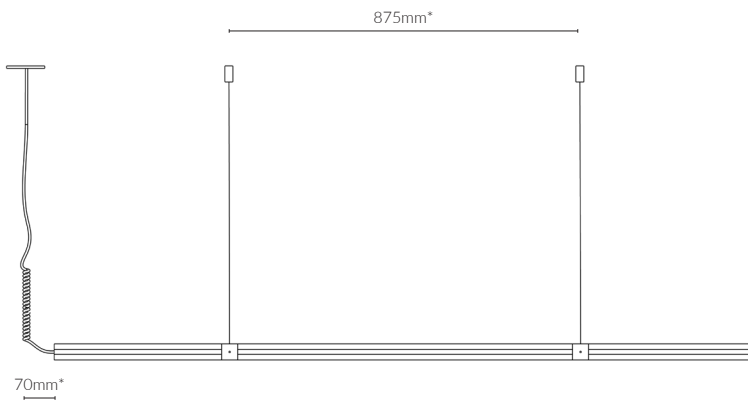
Dims: 1500 mm L, 40mm H, 120mm D  
Weight: 4.4kg

\* Center of cable to end of pendant = 70mm  
\* Cable spacing, see last page. Cable span is adjustable

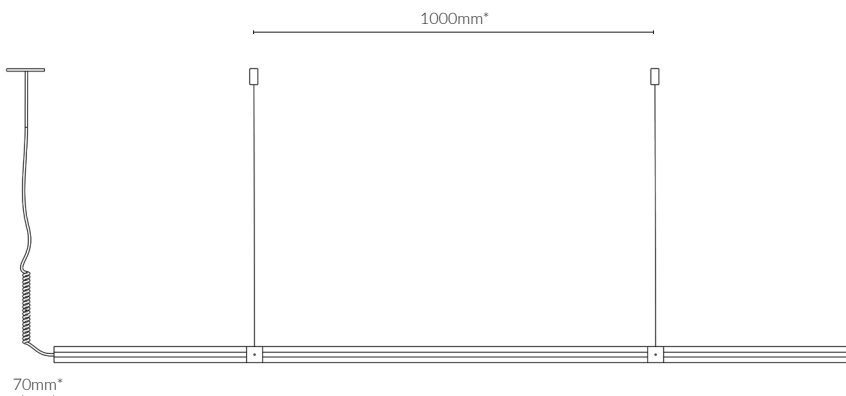


## GANTRY / linear

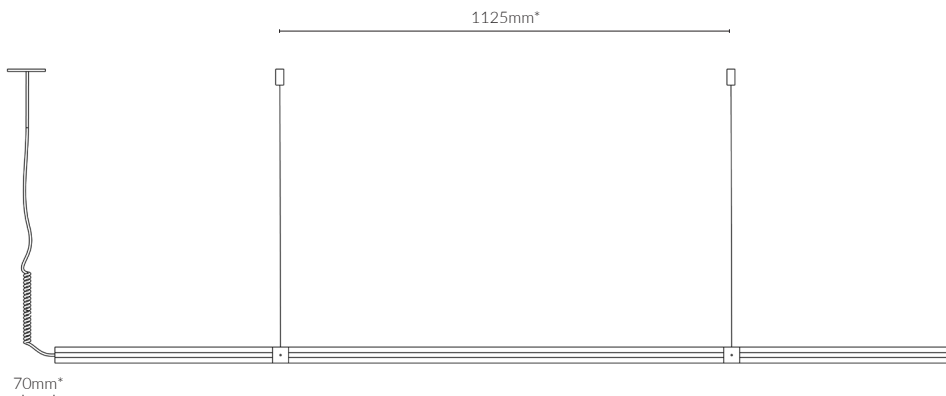
GAN175, GAN200, GAN225



Dims: 1750 mm L, 40mm H, 120mm D  
Weight: 5kg



Dims: 2000 mm L, 40mm H, 120mm D  
Weight: 5.6kg

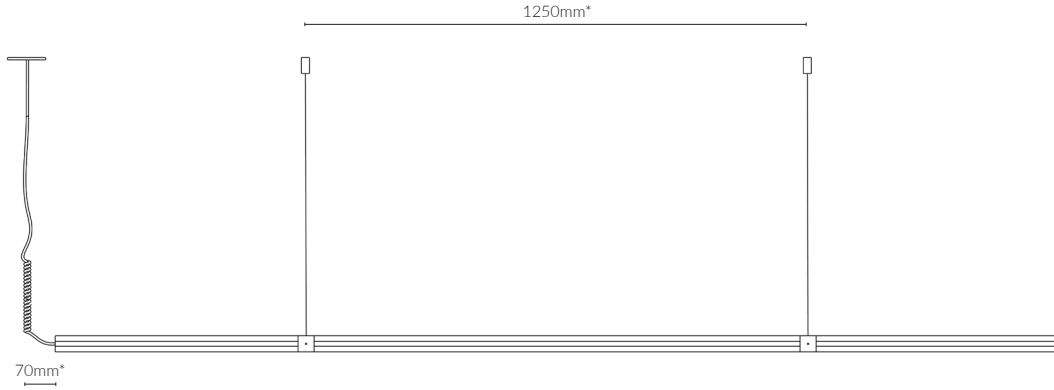


Dims: 2250 mm L, 40mm H, 120mm D  
Weight: 6.2kg

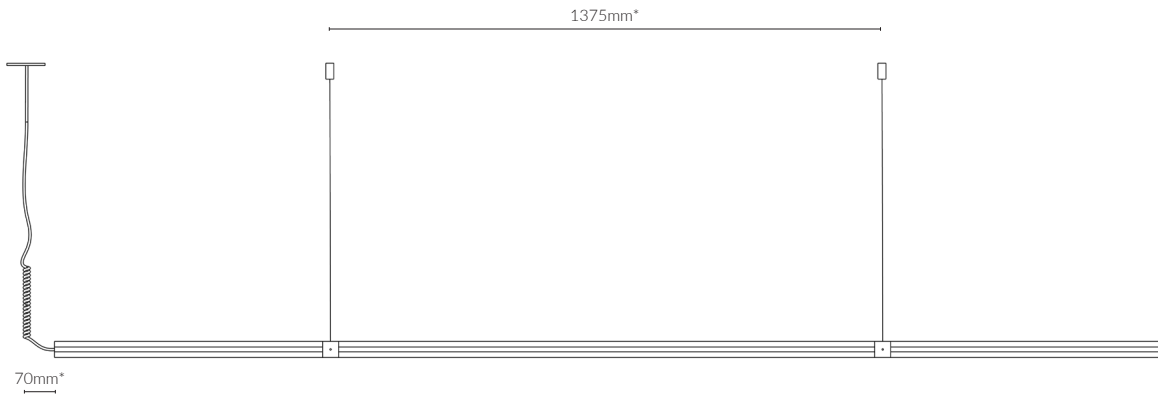
\* Center of cable to end of pendant = 70mm  
\*Cable spacing, see last page. Cable span is adjustable



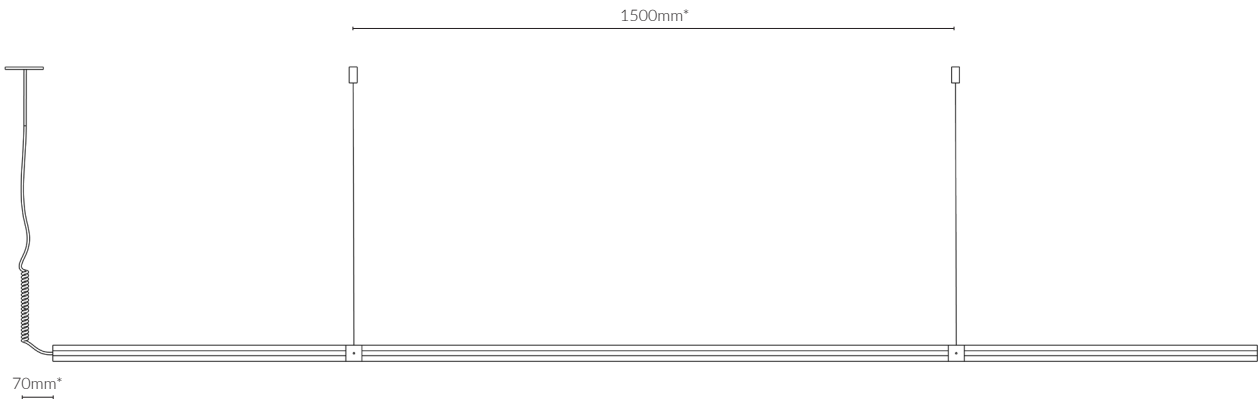
**GANTRY / linear**  
GAN250, GAN275, GAN300



Dims: 2500 mm L, 40mm H, 120mm D  
Weight: 6.8kg



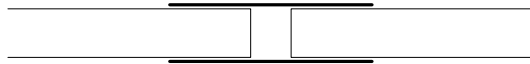
Dims: 2750 mm L, 40mm H, 120mm D  
Weight: 7.2kg



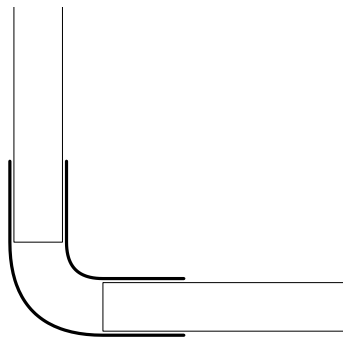
Dims: 3000 mm L, 40mm H, 120mm D  
Weight: 7.6kg

\* Center of cable to end of pendant = 70mm  
\*Cable spacing, see last page. Cable span is adjustable

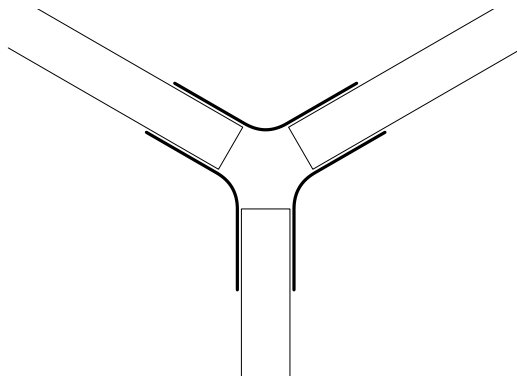
**GANTRY / linear**  
CONFIGURATIONS



I Configuration



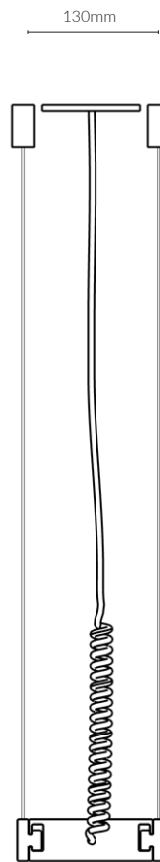
L Configuration



Y Configuration



**GANTRY / linear**  
CABLE SPACING



END VIEW